



### Series

- B6Axxx-xxx:** 6-way, 1/2"(DN15), female NPT
- B6Bxxx-xxx:** 6-way, 3/4"(DN20), female NPT
- B6Cxxx-xxx:** 6-way, 1"(DN25), female NPT

### Features

- 6-way valves available in 1/2"(DN15), 3/4"(DN20), and 1"(DN25)
- Compatible with B series (50 in.lb [5.6 Nm]), L series (140 in.lb [16Nm]) and S series (70 in.lb [8 Nm]) actuators
- Ideal applications such as chilled beam, fan coil, radiant heating and unit ventilators
- Small dimensions allow for easier installation
- Bubble tight zero leakage
- Equal percentage
- Cv range from 0.3 to 19 (Kv 0.26 to 16)
- Control signal option is modulating (proportional)



### Models

Size	6-Way NPT	Cv	Cv (Seq 2)	Kv	Kv (Seq 2)
1/2" (DN15)	B6A003-003	0.3	0.3	0.26	0.26
	B6A003-004	0.3	0.46	0.26	0.4
	B6A003-008	0.3	0.8	0.26	0.7
	B6A003-012	0.3	1.2	0.26	1
	B6A003-019	0.3	1.9	0.26	1.6
	B6A004-003	0.46	0.3	0.4	0.26
	B6A004-004	0.46	0.46	0.4	0.4
	B6A004-008	0.46	0.8	0.4	0.7
	B6A004-012	0.46	1.2	0.4	1
	B6A004-019	0.46	1.9	0.4	1.6
	B6A008-003	0.8	0.3	0.7	0.26
	B6A008-004	0.8	0.46	0.7	0.4
	B6A008-008	0.8	0.8	0.7	0.7
	B6A008-012	0.8	1.2	0.7	1
	B6A008-019	0.8	1.9	0.7	1.6
	B6A012-003	1.2	0.3	1	0.26
	B6A012-004	1.2	0.46	1	0.4
	B6A012-008	1.2	0.8	1	0.7
	B6A012-012	1.2	1.2	1	1
	B6A012-019	1.2	1.9	1	1.6
	B6A019-003	1.9	0.3	1.6	0.26
	B6A019-004	1.9	0.46	1.6	0.4
	B6A019-008	1.9	0.8	1.6	0.7
	B6A019-012	1.9	1.2	1.6	1
	B6A019-019	1.9	1.9	1.6	1.6
	B6A030-004	3	0.46	2.6	0.4
	B6A030-008	3	0.8	2.6	0.7
	B6A030-012	3	1.2	2.6	1
	B6A030-019	3	1.9	2.6	1.6
	B6A030-047	3	4.7	2.6	4
	B6A030-074	3	7.4	2.6	6.4
	B6A047-047	4.7	4.7	4	4
B6A047-074	4.7	7.4	4	6.4	
B6A074-074	7.4	7.4	6.4	6.4	



Size	6-Way NPT	Cv	Cv (Seq 2)	Kv	Kv (Seq 2)
3/4" (DN20)	B6B047-047	4.7	4.7	4	4
	B6B047-074	4.7	7.4	4	6.4
	B6B047-100	4.7	10	4	8.6
	B6B047-140	4.7	14	4	12
	B6B074-047	7.4	4.7	6.4	4
	B6B074-074	7.4	7.4	6.4	6.4
	B6B074-100	7.4	10	6.4	8.6
	B6B074-140	7.4	14	6.4	12
	B6B100-047	10	4.7	8.6	4
	B6B100-074	10	7.4	8.6	6.4
	B6B100-100	10	10	8.6	8.6
	B6B100-140	10	14	8.6	12
	B6B140-047	14	4.7	12	4
	B6B140-074	14	7.4	12	6.4
	B6B140-100	14	10	12	8.6
	B6B140-140	14	14	12	12
1" (DN25)	B6C074-074	7.4	7.4	6.4	6.4
	B6C074-100	7.4	10	6.4	8.6
	B6C074-190	7.4	19	6.4	16
	B6C100-074	10	7.4	8.6	6.4
	B6C100-100	10	10	8.6	8.6
	B6C100-190	10	19	8.6	16
	B6C190-074	19	7.4	16	6.4
	B6C190-100	19	10	16	8.6
B6C190-190	19	19	16	16	

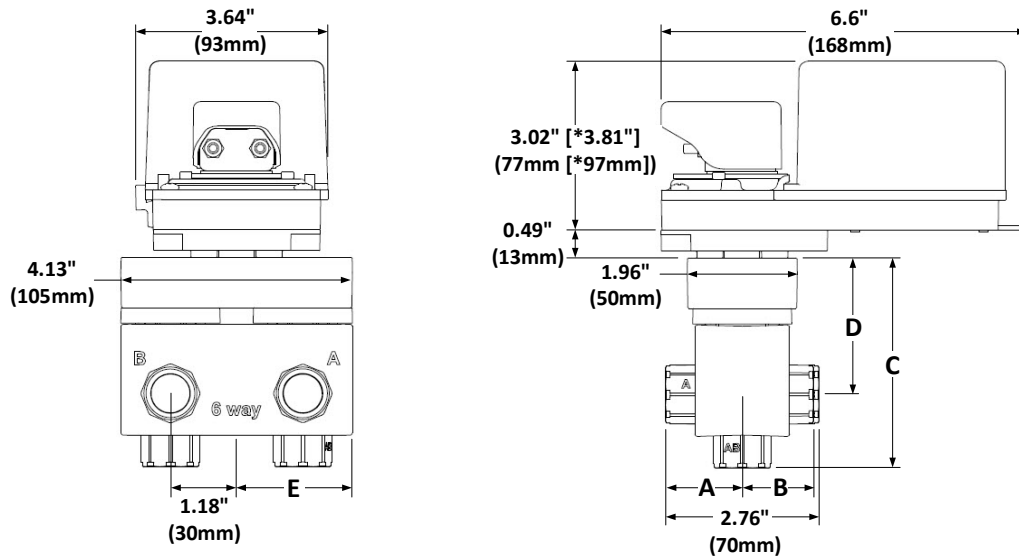
## Technical Data

Specification		All Models
Actuator Compatibility		All Neptronic B, L and S series actuators
Sizes		1/2" to 1" [DN15 to DN25]
Cv [Kv]	Range	0.3 to 19 [0.26 to 16]
Media	Type	Water, 60% Glycol
	Temperature Range	0°F to 212°F [-18°C to 100°C]
Pressure	Body	600 psi [4137 kPa]
	Close-Off	200 psi [1379 kPa]
	Differential	50 psi [345 kPa]
	Max Inlet	N/A
Leakage	A-AB Port	0%
	B Port	0%
Materials	Body	Forged brass, nickel plated
	Ball and Stem	Stainless-Steel
	Seats	PTFE
	Characterized Disc	Brass
	Stem O-Rings	EPDM
Flow Characteristic	2-Way	Equal %
	3-Way	Equal %
Flow Pattern		6-Way Diverting
Rangeability		100:1
Valve	Connection	Female NPT



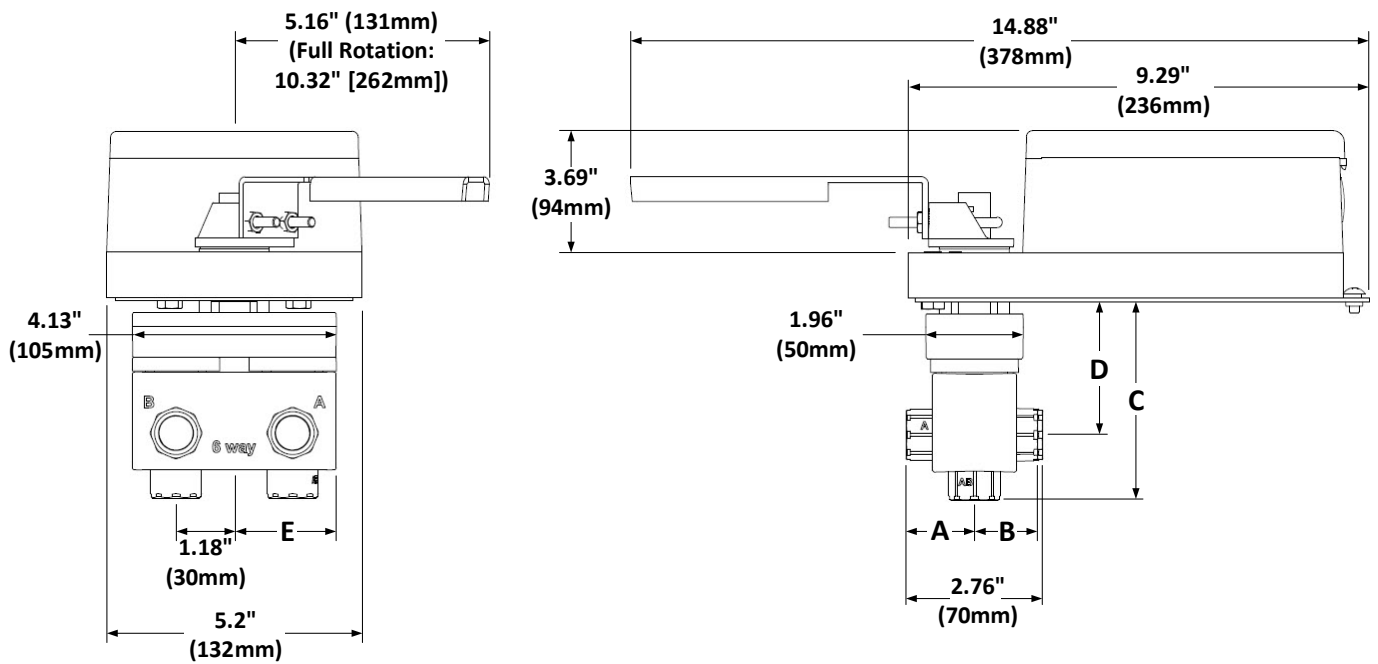
**Dimensions**

*Mounted on B and S Series Actuators*

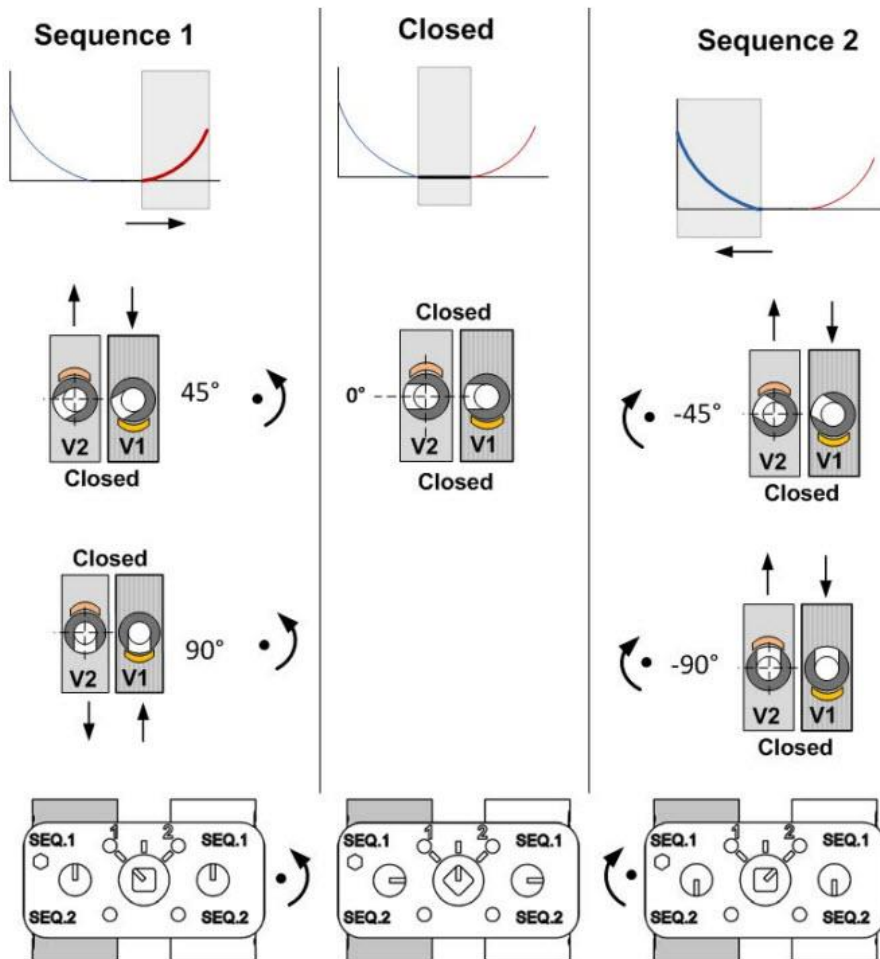
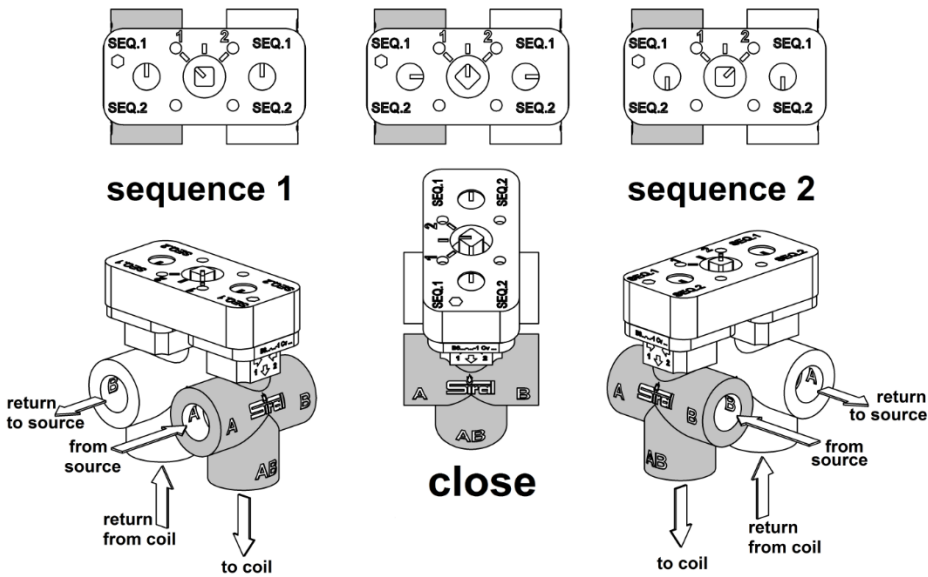


*\*For actuator models 020 & 080*

*Mounted on L Series Actuators*



Size	½" [DN15]	¾" [DN20]	1" [DN25]
A	1.38" (35mm)	1.53" (39mm)	1.89" (48mm)
B	1.28" (33mm)	1.48" (38mm)	1.89" (48mm)
C	3.76" (96mm)	4.09" (104mm)	4.66" (119mm)
D	2.44" (62mm)	2.6" (66mm)	2.78" (71mm)
E	2.07" (53mm)	2.07" (53mm)	2.13" (54mm)

**Flow Pattern (6-Way)**


Both valves rotate in the same direction at the same time.  
 Valve 1 (V1) has a disc oriented for CCW opening rotation.  
 Valve 2 (V2) has a disc oriented for CW opening rotation.  
 Each Cv/Kv has a Valve 1 and a Valve 2 version.